

January 2021

Introduction of replacement from single Fuel metering unit to Fuel metering unit repair kit.

CP1H Fuel metering unit kit

Content: 1pc. of fuel metering unit (FMU) , 3pcs of screws and 1pc. of flat gasket

NOTICE

PN range has been divided in two groups:

First batch of PNs: Introduction date 1Q of 2021.

Second batch of PNs: Introduction date 2Q of 2021.

ESI tronic update expected for 2Q of 2021.

Replacement info:

Replacement is 1:1 replacement link from single FMU PN to FMU Kit PN

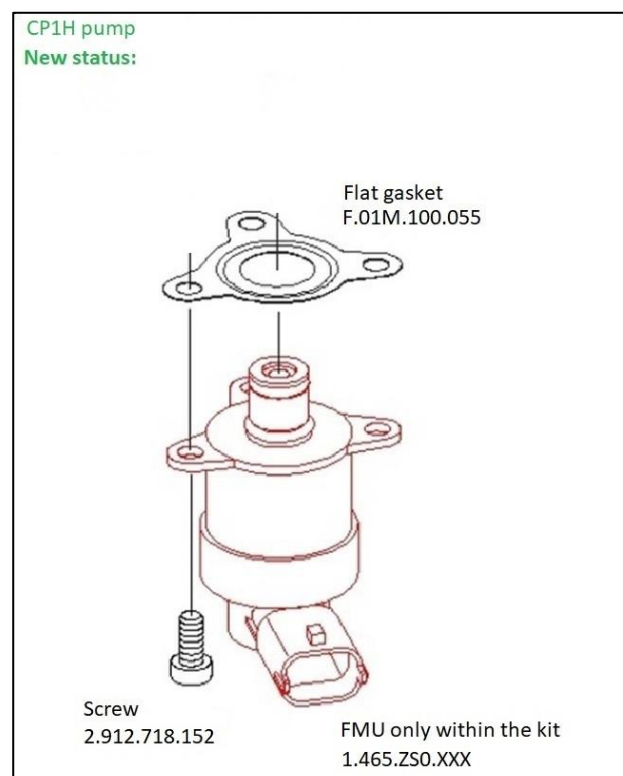
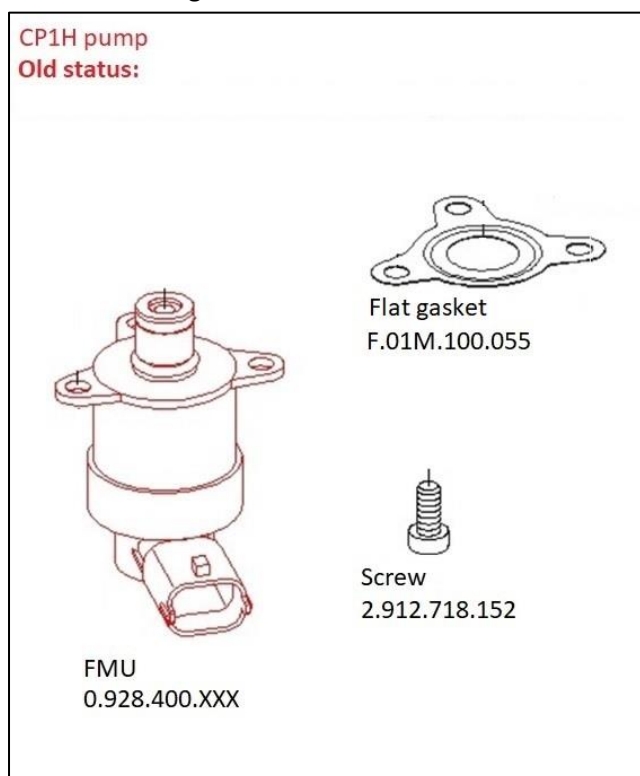
First batch – DONE

Second batch – 2Q 2021

Single component availability:

Single FMU after replacement link and consumption of stock will not be available.

Screw and Flat gasket will remain available for ordering until further notice.



Product information

CP1H, CP3 and CPN2| Fuel metering unit kit



BOSCH

January 2021

CP3 Fuel metering unit kit

Content: 1pc. of fuel metering unit (FMU) and 3pcs. of screws
O-ring is mounted inside of FMU and it is used instead of flat gasket. – comparison to CP1H FMU kit

NOTICE

PN range has been divided in two groups:

First batch of PNs: Introduction date 1Q of 2021.

Second batch of PNs: Introduction date 2Q of 2021.

ESI tronic update expected for 2Q of 2021.

Replacement info:

Replacement is 1:1 replacement link from single FMU PN to FMU Kit PN

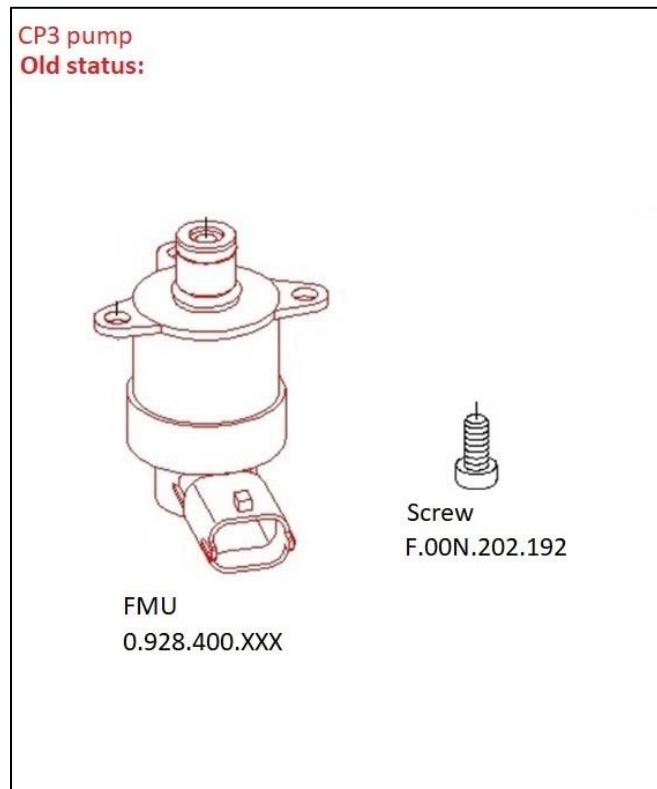
First batch – DONE

Second batch – DONE

Single component availability:

Single FMU after replacement link and consumption of stock will not be available.

Screw will remain available for ordering until further notice.



January 2021

CPN2 Fuel metering unit kit

Content: 1pc. of fuel metering unit (FMU) and 3pcs. of screws

NOTICE

PN range

Only one Kit PN **1.465.ZS0.130** for complete range of CPN2 pumps.

ESI tronic update expected for 2Q of 2021.

Replacement info:

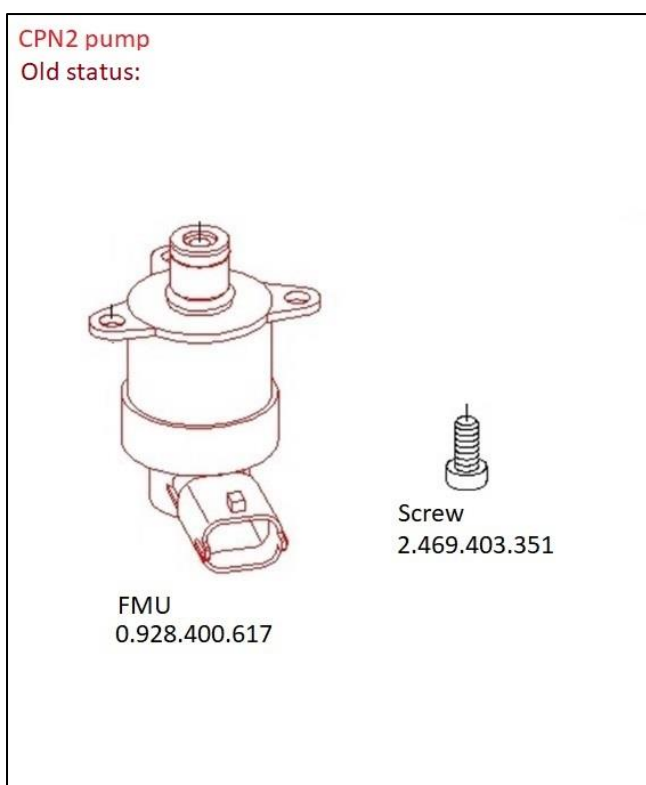
Replacement is 1:1 replacement link from single FMU PN to FMU Kit PN

Expected for 2Q 2021

Single component availability:

Single FMU after replacement link and consumption of stock will not be available.

Screw will remain available for ordering until further notice.



***** Complete FMU kit PN overview with belonging components and kit usage in the pump as well as kit release status, follows this Marketing letter as additional information.**

CP3 List

Kit PN	FMU	Screw	CP3 Pumps
1.465.ZS0.040	0.928.400.481	F.00N.202.192	0.445.020.007
			0.445.020.175
			0.445.020.185
			0.445.020.223
			0.445.020.257
			0.445.020.265
			0.445.020.334
			0.445.020.335
1.465.ZS0.041	0.928.400.487	F.00N.202.192	0.445.010.031
			0.445.010.033
			0.445.010.075
1.465.ZS0.042	0.928.400.498	F.00N.202.192	0.445.010.045
			0.445.010.073
			0.445.010.126
			0.445.010.146
1.465.ZS0.043	0.928.400.508	F.00N.202.192	0.445.010.048
			0.445.010.078
			0.445.010.143
1.465.ZS0.044	0.928.400.535	F.00N.202.192	0.445.020.005
			0.445.020.017
1.465.ZS0.046	0.928.400.568	F.00N.202.192	0.445.010.034
1.465.ZS0.047	0.928.400.612	F.00N.202.192	0.445.010.096
1.465.ZS0.048	0.928.400.616	F.00N.202.192	0.445.010.120
			0.445.010.043
1.465.ZS0.049	0.928.400.620	F.00N.202.192	0.445.020.057
			0.445.020.018
1.465.ZS0.050	0.928.400.625	F.00N.202.192	0.445.020.133
			0.445.010.111
			0.445.020.362
			F.00B.C00.005
1.465.ZS0.051	0.928.400.626	F.00N.202.192	F.00B.C00.011
			0.445.010.074
1.465.ZS0.052	0.928.400.627	F.00N.202.192	0.445.010.108
			0.445.020.023
1.465.ZS0.053	0.928.400.640	F.00N.202.192	0.445.020.031
			0.445.020.032
			0.445.020.088
			0.445.020.127
			0.445.020.132
1.465.ZS0.054	0.928.400.642	F.00N.202.192	0.445.020.047
			0.445.020.048
			0.445.020.076
			0.445.020.106
			0.445.020.146
			0.445.020.346
1.465.ZS0.055	0.928.400.643	F.00N.202.192	0.445.020.377
			0.445.010.042

CP3 List

Kit PN	FMU	Screw	CP3 Pumps
1.465.ZS0.056	0.928.400.644	F.00N.202.192	0.445.020.043
			0.445.020.045
			0.445.020.122
			0.445.020.123
			0.445.020.149
			0.445.020.150
			0.445.020.241
			0.445.020.284
1.465.ZS0.057	0.928.400.646	F.00N.202.192	0.445.020.027
			0.445.020.028
1.465.ZS0.058	0.928.400.653	F.00N.202.192	0.445.020.030
1.465.ZS0.059	0.928.400.654	F.00N.202.192	0.445.010.039
			0.445.010.076
			0.445.010.086
1.465.ZS0.060	0.928.400.655	F.00N.202.192	0.445.010.091
1.465.ZS0.061	0.928.400.660	F.00N.202.192	0.445.020.008
1.465.ZS0.062	0.928.400.666	F.00N.202.192	0.445.020.011
			0.445.020.015
			0.445.020.039
			0.445.020.054
			0.445.020.097
			0.445.020.147
			0.445.020.151
			0.445.020.037
1.465.ZS0.063	0.928.400.673	F.00N.202.192	0.445.020.105
			0.445.010.047
1.465.ZS0.064	0.928.400.674	F.00N.202.192	0.445.010.085
			0.445.010.088
			0.445.010.112
			0.445.010.113
			0.445.010.114
			0.445.010.090
1.465.ZS0.065	0.928.400.676	F.00N.202.192	0.445.010.125
			0.445.010.095
1.465.ZS0.066	0.928.400.677	F.00N.202.192	0.445.010.145
			0.445.010.149
1.465.ZS0.067	0.928.400.678	F.00N.202.192	0.445.010.190
			0.445.010.347
			0.445.010.081
1.465.ZS0.068	0.928.400.681	F.00N.202.192	0.445.010.089
			0.445.010.094
			0.445.010.118
1.465.ZS0.069	0.928.400.682	F.00N.202.192	0.445.010.121
			0.445.010.342
			0.445.010.399
1.465.ZS0.070	0.928.400.687	F.00N.202.192	0.445.010.093
			0.445.010.141

CP3 List

Kit PN	FMU	Screw	CP3 Pumps
1.465.ZS0.071	0.928.400.689	F.00N.202.192	0.445.020.065
			0.445.020.078
			0.445.020.111
			0.445.020.142
			0.445.020.273
			0.445.020.291
			0.445.020.329
			0.445.025.619
1.465.ZS0.072	0.928.400.690	F.00N.202.192	0.445.020.050
1.465.ZS0.073	0.928.400.693	F.00N.202.192	0.445.010.153
			0.445.010.264
			0.445.010.348
1.465.ZS0.074	0.928.400.695	F.00N.202.192	0.445.010.106
1.465.ZS0.075	0.928.400.698	F.00N.202.192	0.445.010.105
			0.445.010.134
			0.445.010.214
			0.445.010.258
			0.445.010.392
1.465.ZS0.076	0.928.400.699	F.00N.202.192	0.445.020.019
1.465.ZS0.078	0.928.400.701	F.00N.202.192	0.445.010.117
1.465.ZS0.079	0.928.400.710	F.00N.202.192	0.445.010.168
			0.445.010.352
1.465.ZS0.080	0.928.400.711	F.00N.202.192	0.445.020.072
			0.445.020.107
			0.445.020.148
1.465.ZS0.081	0.928.400.712	F.00N.202.192	0.445.020.043
			0.445.020.045
			0.445.020.122
			0.445.020.150
			0.445.020.241
			0.445.020.284
1.465.ZS0.082	0.928.400.713	F.00N.202.192	0.445.010.052
			0.445.010.101
1.465.ZS0.083	0.928.400.714	F.00N.202.192	0.445.010.087
1.465.ZS0.085	0.928.400.717	F.00N.202.192	0.445.010.119
1.465.ZS0.086	0.928.400.718	F.00N.202.192	0.445.020.026
1.465.ZS0.087	0.928.400.719	F.00N.202.192	0.445.010.135
1.465.ZS0.088	0.928.400.722	F.00N.202.192	0.445.010.127
1.465.ZS0.089	0.928.400.725	F.00N.202.192	0.445.010.029
1.465.ZS0.091	0.928.400.736	F.00N.202.192	0.445.010.115
1.465.ZS0.092	0.928.400.738	F.00N.202.192	0.445.010.152
1.465.ZS0.093	0.928.400.739	F.00N.202.192	0.445.020.046
1.465.ZS0.094	0.928.400.744	F.00N.202.192	0.445.020.060
			0.445.020.130
			0.445.020.171
			0.445.020.203
			0.445.020.225
1.465.ZS0.095	0.928.400.745	F.00N.202.192	0.445.020.052
1.465.ZS0.096	0.928.400.746	F.00N.202.192	0.445.020.075
			0.445.020.125
			0.445.020.155

CP3 List

Kit PN	FMU	Screw	CP3 Pumps
			0.445.020.201
			0.445.020.208
1.465.ZS0.097	0.928.400.751	F.00N.202.192	0.445.010.194
1.465.ZS0.098	0.928.400.753	F.00N.202.192	0.445.020.053
1.465.ZS0.099	0.928.400.754	F.00N.202.192	0.445.020.073
			0.445.020.131
			0.445.020.172
			0.445.020.204
1.465.ZS0.100	0.928.400.755	F.00N.202.192	0.445.020.081
			0.445.020.082
			0.445.020.103
1.465.ZS0.101	0.928.400.759	F.00N.202.192	0.445.020.067
			0.445.020.128
			0.445.020.157
			0.445.020.253
			0.445.020.302
1.465.ZS0.102	0.928.400.760	F.00N.202.192	0.445.020.031
			0.445.020.032
			0.445.020.127
			0.445.020.132
1.465.ZS0.103	0.928.400.761	F.00N.202.192	0.445.020.100
			0.445.020.129
			0.445.020.136
			0.445.020.156
			0.445.020.167
			0.445.020.169
			0.445.020.183
			0.445.020.205
			0.445.020.206
			0.445.020.207
0.445.020.315			
1.465.ZS0.104	0.928.400.762	F.00N.202.192	0.445.010.082
			0.445.010.210
			0.445.010.244
			0.445.010.245
			0.445.010.358
			0.445.010.359
			0.445.010.361
1.465.ZS0.105	0.928.400.763	F.00N.202.192	0.445.010.362
			0.445.010.211
			0.445.010.246
			0.445.010.322
			0.445.010.323
			0.445.010.360
			0.445.010.363

CP3 List

Kit PN	FMU	Screw	CP3 Pumps
1.465.ZS0.106	0.928.400.766	F.00N.202.192	0.445.020.080
			0.445.020.090
			0.445.020.124
			0.445.020.134
			0.445.020.170
			0.445.020.202
			0.445.020.277
			0.445.020.316
1.465.ZS0.107	0.928.400.771	F.00N.202.192	0.445.020.337
			0.445.020.079
			0.445.020.110
			0.445.020.141
			0.445.020.311
1.465.ZS0.108	0.928.400.772	F.00N.202.192	0.445.020.368
			0.445.020.093
			0.445.020.101
			0.445.020.110
			0.445.020.141
			0.445.020.274
			0.445.020.367
1.465.ZS0.109	0.928.400.784	F.00N.202.192	(blank)
1.465.ZS0.110	0.928.400.789	F.00N.202.192	0.445.020.033
1.465.ZS0.111	0.928.400.790	F.00N.202.192	0.445.020.059
1.465.ZS0.112	0.928.400.791	F.00N.202.192	0.445.010.098
1.465.ZS0.113	0.928.400.806	F.00N.202.192	0.445.020.139
			0.445.020.263
1.465.ZS0.114	0.928.400.816	F.00N.202.192	0.445.020.152
			0.445.020.302
1.465.ZS0.115	0.928.400.822	F.00N.202.192	0.445.010.084
			0.445.010.104
1.465.ZS0.116	0.928.400.837	F.00N.202.192	0.445.020.111
1.465.ZS0.117	0.928.400.838	F.00N.202.192	0.445.020.112
1.465.ZS0.118	0.928.400.839	F.00N.202.192	0.445.020.029
1.465.ZS0.119	0.928.400.844	F.00N.202.192	0.445.020.089
1.465.ZS0.120	0.928.400.845	F.00N.202.192	0.445.010.082
1.465.ZS0.121	0.928.400.846	F.00N.202.192	0.445.020.099
1.465.ZS0.122	0.928.400.505	F.00N.202.192	0.445.010.012
1.465.ZS0.123	0.928.400.512	F.00N.202.192	0.445.010.036
			0.445.010.335
1.465.ZS0.125	0.928.400.721	F.00N.202.192	0.445.010.044
1.465.ZS0.126	0.928.400.733	F.00N.202.192	0.445.020.014
1.465.ZS0.127	0.928.400.735	F.00N.202.192	0.445.020.051
1.465.ZS0.128	0.928.400.823	F.00N.202.192	0.445.020.162
			0.445.020.252
			0.445.020.298
1.465.ZS0.129	0.928.400.832	F.00N.202.192	0.445.020.182
1465ZS0045 replaced by 1465ZS0061	0.928.400.567	F.00N.202.192	0.445.020.041
1465ZS0077 replaced by 1465ZS0069	0.928.400.700	F.00N.202.192	0.445.010.099
1465ZS0084 replaced by 1465ZS0068	0.928.400.715	F.00N.202.192	0.445.010.107
			0.445.010.213
1465ZS0090 replaced by 1465ZS0069	0.928.400.727	F.00N.202.192	0.445.020.049

CP1H List

Kit PN	FMU	Flat gasket	Screw	CP1H Pumps
1.465.ZS0.001	0.928.400.607	F.01M.100.055	2.912.718.152	0.445.010.102
				0.445.010.330
				0.445.010.493
1.465.ZS0.002	0.928.400.636	F.01M.100.055	2.912.718.152	0.445.010.131
1.465.ZS0.003	0.928.400.651	F.01M.100.055	2.912.718.152	0.445.010.097
				0.445.010.250
				0.445.010.406
				0.445.010.439
1.465.ZS0.004	0.928.400.652	F.01M.100.055	2.912.718.152	0.445.010.124
1.465.ZS0.005	0.928.400.656	F.01M.100.055	2.912.718.152	0.445.010.123
				0.445.010.166
				0.445.010.173
				0.445.010.222
				0.445.010.252
				0.445.010.301
				0.445.010.316
1.465.ZS0.006	0.928.400.664	F.01M.100.055	2.912.718.152	0.445.010.139
				0.445.010.298
				0.445.010.411
1.465.ZS0.007	0.928.400.669	F.01M.100.055	2.912.718.152	0.445.010.142
1.465.ZS0.008	0.928.400.808	F.01M.100.055	2.912.718.152	0.445.010.180
				0.445.010.236
1.465.ZS0.009	0.928.400.671	F.01M.100.055	2.912.718.152	0.445.010.136
				0.445.010.429
				0.445.010.464
1.465.ZS0.010	0.928.400.672	F.01M.100.055	2.912.718.152	0.445.010.140
				0.445.020.119
1.465.ZS0.011	0.928.400.680	F.01M.100.055	2.912.718.152	0.445.010.150
				0.445.010.155
				0.445.010.156
				0.445.010.157
				0.445.010.183
				0.445.010.184
				0.445.010.185
				0.445.010.193
				0.445.010.202
				0.445.010.204
				0.445.010.241
				0.445.010.242
				0.445.010.243
				0.445.010.247
				0.445.010.248
				0.445.010.249
				0.445.010.255
				0.445.010.256
				0.445.010.303
				0.445.010.305
				0.445.010.311
0.445.010.321				
0.445.010.394				
0.445.010.408				
0.445.010.442				
0.445.010.444				
0.445.010.446				
0.445.010.450				
0.445.010.467				

CP1H List

Kit PN	FMU	Flat gasket	Screw	CP1H Pumps
1.465.ZS0.012	0.928.400.682	F.01M.100.055	2.912.718.152	0.445.010.118
				0.445.010.121
1.465.ZS0.013	0.928.400.702	F.01M.100.055	2.912.718.152	0.445.020.070
1.465.ZS0.014	0.928.400.703	F.01M.100.055	2.912.718.152	0.445.010.177
				0.445.010.205
				0.445.010.206
				0.445.010.207
				0.445.010.234
1.465.ZS0.015	0.928.400.709	F.01M.100.055	2.912.718.152	0.445.010.176
				0.445.010.478
1.465.ZS0.016	0.928.400.724	F.01M.100.055	2.912.718.152	0.445.020.056
1.465.ZS0.017	0.928.400.726	F.01M.100.055	2.912.718.152	0.445.010.181
				0.445.010.318
				0.445.010.400
1.465.ZS0.018	0.928.400.728	F.01M.100.055	2.912.718.152	0.445.010.158
				0.445.010.159
				0.445.010.165
				0.445.010.169
				0.445.010.179
				0.445.010.182
				0.445.010.186
				0.445.010.191
				0.445.010.200
				0.445.010.217
				0.445.010.261
				0.445.020.168
				0.445.020.210
1.465.ZS0.019	0.928.400.794	F.01M.100.055	2.912.718.152	0.445.010.221
				0.445.010.224
				0.445.010.229
				0.445.010.230
				0.445.010.235
				0.445.010.237
				0.445.010.251
				0.445.010.297
				0.445.010.329
				0.445.010.375
				0.445.010.376
				0.445.010.391
				0.445.010.402
				0.445.010.409
				0.445.010.416
				0.445.010.428
				0.445.010.435
				0.445.010.451
				0.445.010.454
				0.445.010.457
0.445.010.472				
0.445.010.475				
0.445.010.485				
0.445.010.490				
1.465.ZS0.020	0.928.400.843	F.01M.100.055	2.912.718.152	0.445.010.199
1.465.ZS0.021	0.928.400.741	F.01M.100.055	2.912.718.152	0.445.020.153
				0.445.020.154
1.465.ZS0.022	0.928.400.743	F.01M.100.055	2.912.718.152	0.445.010.196
				0.445.010.216
				0.445.010.218

CP1H List

Kit PN	FMU	Flat gasket	Screw	CP1H Pumps
1.465.ZS0.023	0.928.400.742	F.01M.100.055	2.912.718.152	0.445.020.083
1.465.ZS0.024	0.928.400.770	F.01M.100.055	2.912.718.152	0.445.010.208
1.465.ZS0.025	0.928.400.812	F.01M.100.055	2.912.718.152	0.445.010.223
1.465.ZS0.026	0.928.400.777	F.01M.100.055	2.912.718.152	0.445.010.197
				0.445.010.314
				0.445.010.324
1.465.ZS0.027	0.928.400.787	F.01M.100.055	2.912.718.152	0.445.010.231
				0.445.010.232
				0.445.010.233
				0.445.010.309
1.465.ZS0.028	0.928.400.793	F.01M.100.055	2.912.718.152	0.445.020.118
1.465.ZS0.029	0.928.400.848	F.01M.100.055	2.912.718.152	0.445.010.129
1.465.ZS0.030	0.928.400.804	F.01M.100.055	2.912.718.152	0.445.010.240
				0.445.010.257
				0.445.010.377
				0.445.010.390
				0.445.010.418
				0.445.010.458
				0.445.010.460
				0.445.010.461
				0.445.010.468
				0.445.010.469
				0.445.010.484
				0.445.010.489
				0.445.020.255
0.445.020.256				
1.465.ZS0.031	0.928.400.830	F.01M.100.055	2.912.718.152	0.445.010.259
				0.445.010.433
1.465.ZS0.032	0.928.400.810	F.01M.100.055	2.912.718.152	0.445.010.398
				0.445.020.143
1.465.ZS0.033	0.928.400.826	F.01M.100.055	2.912.718.152	0.445.010.260
				0.445.010.320
				0.445.010.452
1.465.ZS0.034	0.928.400.825	F.01M.100.055	2.912.718.152	0.445.010.254
				0.445.010.266
				0.445.010.307
				0.445.010.397
				0.445.010.404
				0.445.010.414
				0.445.010.424
				0.445.010.426
				0.445.010.455
				0.445.010.463
				0.445.010.466
				0.445.010.477
0.445.010.487				
1.465.ZS0.036	0.928.400.667	F.01M.100.055	2.912.718.152	0.445.010.137
1.465.ZS0.037	0.928.400.679	F.01M.100.055	2.912.718.152	0.445.010.170
1.465.ZS0.039	0.928.400.572	F.01M.100.055	2.912.718.152	0.445.010.154
				0.445.010.171
				0.445.010.328